

**SEMICONDUCTOR IC's**

**BW – M66 Melody generators**

**Features**

- 64-note ROM memory
- 1.3V to 3.3V operating voltage and low power consumption
- Packaged in inexpensive TO-92 package
- OSC resistor is built-in
- Level-hold mode to play repeatedly
- Dynamic speaker can be driven with external NPN transistor

**General Description**

The M66T series is a CMOS LSI designed for use in telephone and toy application. It is an on-chip ROM programmed for musical performance. Produced by CMOS technology, the device results in very low power consumption. Since the M66T series includes oscillator, a compact melody module can be constructed with only a few additional components.

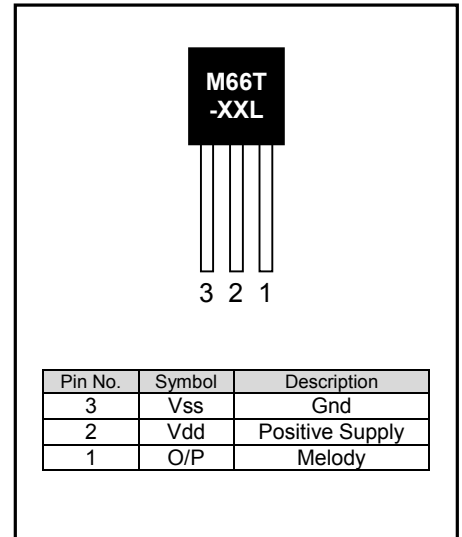
**Absolute Maximum Ratings**

DC Supply Voltage	:	-0.3V to +5.0V
Operating Ambient Temperature	:	-10°C to 60°C
Storage Temperature	:	-55°C to 125°C

**Electrical Characteristics**

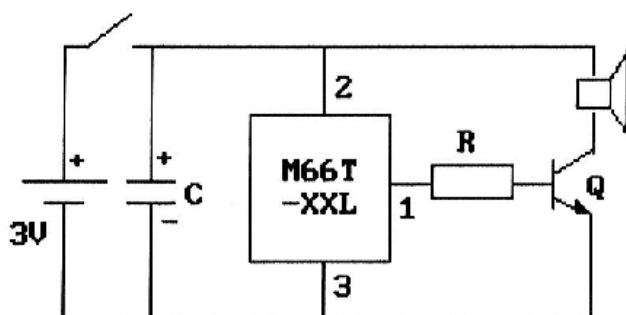
(Vss=0V, Vdd=1.5V, Ta=25°C, unless otherwise specified)

Parameter	Symbol	Min.	Typ.	Max.	Conditions
Operating Voltage	Vdd	1.3V	1.3V	3.3V	
Current Consumption	Idd	-	16µA	50µA	Playing with no load
Output Current	I o/p	2mA	-	-	
Osc. Frequency	Focs	63kHz	90kHz	117kHz	

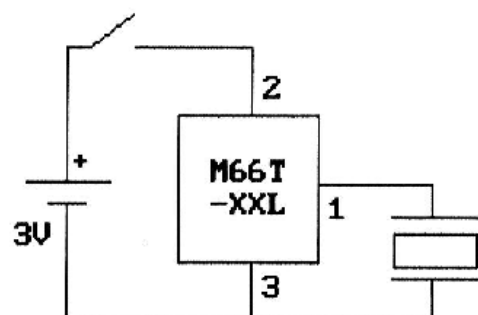


**Typical Application**

LEVEL HOLD MODE FOR SPEAKER



LEVEL HOLD MODE FOR PIEZO BUZZER



Suggested Values : C = 1µF, R = 4.7KΩ, Q = BC182

Order Code	BW Ref. No.	Description	Pin-Package
82-0042	M66T-01L	MELODY GENERATOR (JINGLE BELLS)	TO 92
82-0043	M66T-09L	MELODY GENERATOR (WEDDING MARCH)	TO 92
82-0044	M66T-68L	MELODY GENERATOR (ITS A SMALL WORLD)	TO 92
82-0045	M66T-08S	MELODY GENERATOR (HAPPY BIRTHDAY)	TO 92



**Melody Generators**

**SEE TABLE**

The enclosed information is believed to be correct, Information may change 'without notice' due to product improvement. Users should ensure that the product is suitable for their use. E. & O. E.

Revision D  
24/08/2001  
Page 1 of 1